

# USER MANUAL

## MONET V2 EDGE COLOURING MACHINE



+33 4 75 05 25 04  
[info@idecsas.com](mailto:info@idecsas.com)  
ZA Les Bouviers  
26260 CLERIEUX, France  
[www.idecsas.com](http://www.idecsas.com)

**Update 3**

Du 29-10-2021

Original Manual

## LIST OF CONTENTS

<b>I. SAFETY INSTRUCTIONS:</b>	<b>2</b>
<b>II. DESCRIPTION OF THE EQUIPMENT:</b>	<b>4</b>
<b>II.1. The composition of the equipment</b>	<b>4</b>
<b>II.2. An overview of the machine</b>	<b>5</b>
<b>II.3. The purpose of the unit</b>	<b>6</b>
<b>III. PRESENTATION OF THE CONTROLS</b>	<b>7</b>
<b>IV. OPERATING THE MACHINE:</b>	<b>9</b>
<b>IV.1. V2 Head assembly</b>	<b>9</b>
<b>IV.2. Adjusting the V2 head</b>	<b>10</b>
<b>IV.3. Colouring</b>	<b>13</b>
Positioning the head on the machine	13
Filling the beaker	14
Putting the tube in position	15
Start-up	16
Setting the machine	16
Applying a colour or an undercoat	17
Protective cover	17
<b>IV.4. 2 &amp; 3 head mixer (OPTIONAL)</b>	<b>18</b>
<b>IV.5. Height-adjustable stand (OPTIONAL)</b>	<b>19</b>
<b>IV.6. Cleaning the unit</b>	<b>21</b>
Stopping the machine	21
Cleaning the head	21
Cleaning the unit	22
<b>V. MECHANICAL SETTINGS</b>	<b>22</b>
<b>VI. ELECTRICAL DIAGRAMS</b>	<b>23</b>
<b>VII. WEAR AND EMERGENCY PARTS</b>	<b>27</b>
<b>VIII. FREQUENTLY ASKED QUESTIONS</b>	<b>28</b>
<b>IX. DECLARATIONS OF CONFORMITY</b>	<b>30</b>
<b>X. APPENDICES</b>	<b>34</b>
<b>X.1. Instructions for adjustable stand</b>	<b>34</b>
<b>X.2. Personal notes</b>	<b>34</b>

## I. SAFETY INSTRUCTIONS:

Never take any action on the machine without disconnecting the electricity supply.

Never make any modifications to the machine without carrying out a prior study and obtaining permission for the modification from the constructor.

Do not attempt to repair the machine without authorization from the manufacturer or a service agent.

Do not use spare parts other than the originals supplied by IDEC.

Read the manual before using the machine. Always disconnect the machine when carrying out maintenance operations.

Any modification to this machine without our prior agreement will invalidate the declaration of conformity.

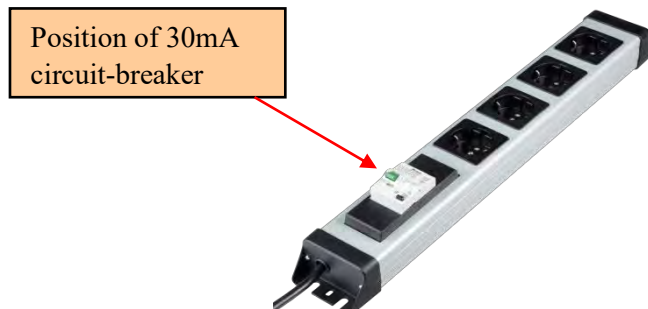
The machine must be connected to a socket protected by a 30 mA ground fault circuit-breaker.

### \* SOUND LEVEL:

- Sound level below 70 decibels.

### \* ELECTRICITY:

- Voltage: 230V Single phase + Neutral + Ground - 50Hz
- A 30mA circuit-breaker is provided on the adjustable stand multi-socket.



### \* HEIGHT ADJUSTABLE COLUMN:

- Maximum capacity of the stand → **12Kg**
- The stand is exclusively reserved for machines approved by **IDEC SAS**.
- Modifying any components is strictly forbidden.
- Attaching equipment non-approved by IDEC SAS is not allowed.
- The multi-socket must only be used for machines approved by IDEC SAS.

## \* PRESENCE OF NEODYMIUM MAGNETS:



### **Pacemaker**

Magnets may prevent implantable pacemakers and defibrillators from operating correctly.

Pacemakers may move into test mode and cause a malaise.

A defibrillator may even stop running.

If you are wearing this type of device, keep well away from the magnets.



### **Magnetic fields**

Magnets generate strong, far-reaching magnetic fields. Amongst other things, they can damage televisions, laptops, hard disks, credit and Eurocheque cards, data carriers, mechanical watches, hearing aids and loudspeakers.

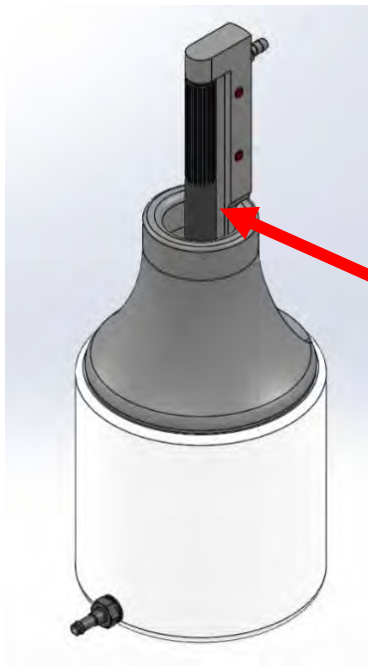
Keep magnets away from appliances and objects that could be damaged by strong magnetic fields.

Precaution

## \* DANGERS OF CATCHING:

**Warning:** A danger exists of getting caught between the wiper and the colouring shaft. Keep your fingers or arm well away from the unit when it is turning.

**Warning:** A danger of jamming also exists in the peristaltic pump. Disconnect the electricity supply before opening the pump cover.



## II. DESCRIPTION OF THE EQUIPMENT:

### II.1. The composition of the equipment

The MONET V2 edge colouring machine

- A colouring unit base
- A shaft rotation potentiometer
- An On/Off switch
- A pump flow potentiometer
- A peristaltic pump
- A 24VDC 120 W power supply unit

Item A  
Item A1  
Item A2  
Item A3  
Item A4  
Item A5  
Item A6

A MONET V2 colouring head

- A beaker
- An adjustable wiper
- A colouring shaft screwed onto the magnet plate
- A colour tube, length 600mm
- A plug

Item B  
Item B1  
Item B2  
Item B3  
Item B4  
Item B5

A mixer for 2 or 3 heads

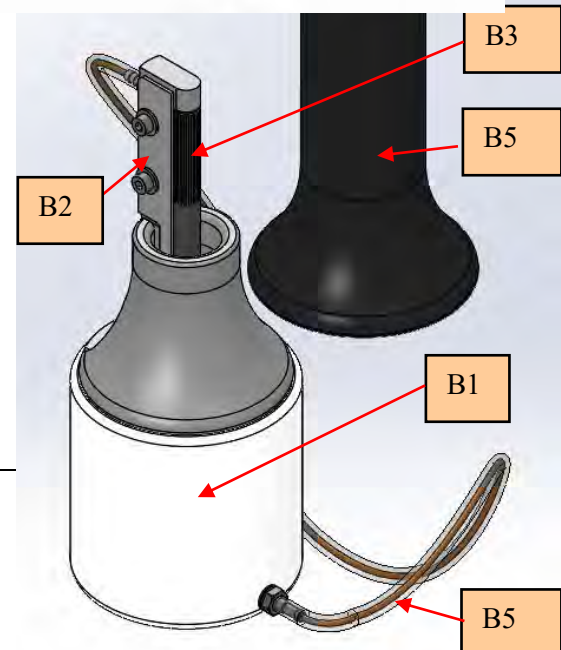
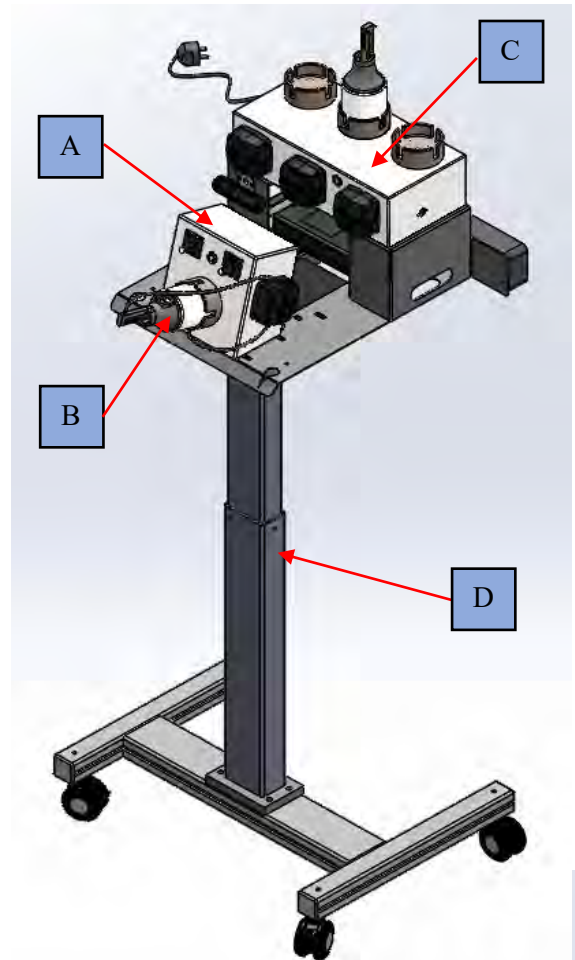
- A base for 2 or 3 heads
- An On/Off switch
- A 24VDC 220 W power supply unit
- 2 or 3 holders for colouring heads
- 2 or 3 peristaltic pumps

Rep. C  
Item C1  
Item C2  
Item C3  
Item C4  
Item C5

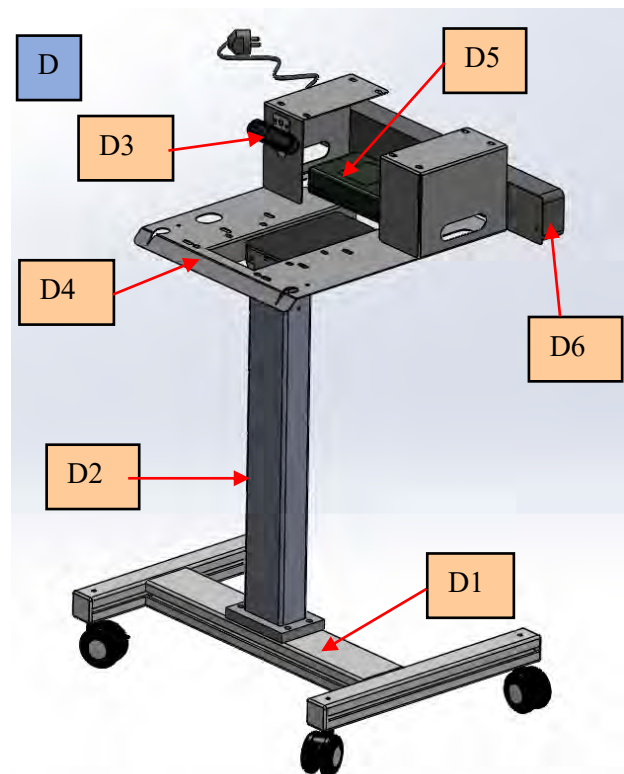
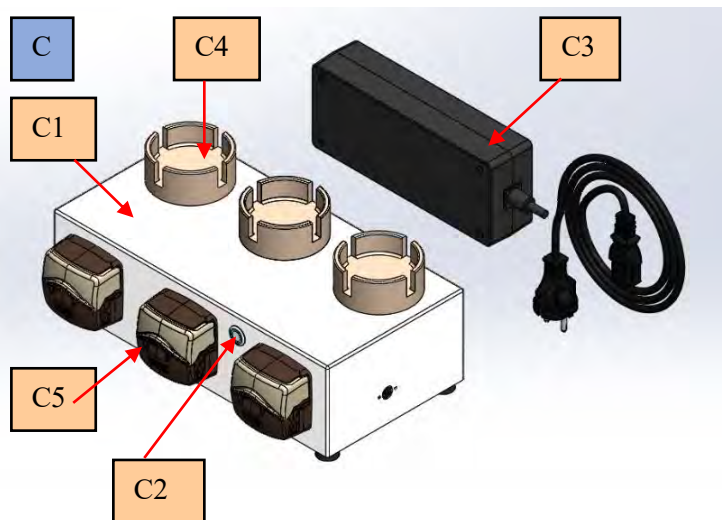
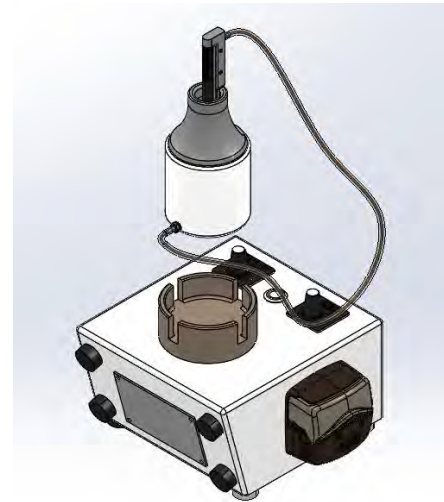
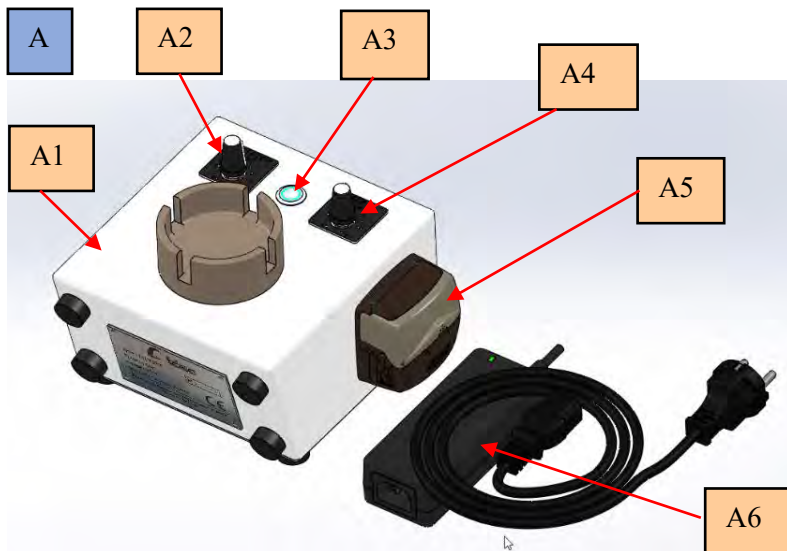
One height adjustable stand

- A foot
- A height-adjustable column
- An up/down movement control button
- A universal support plate
- One 12VDC 300 W power supply unit
- One multi-socket with 30mA protection

Item D  
Item D1  
Item D2  
Item D3  
Item D4  
Item D5  
Item D6

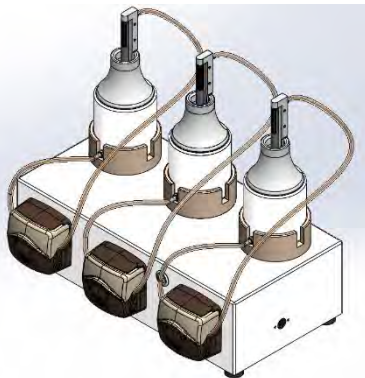
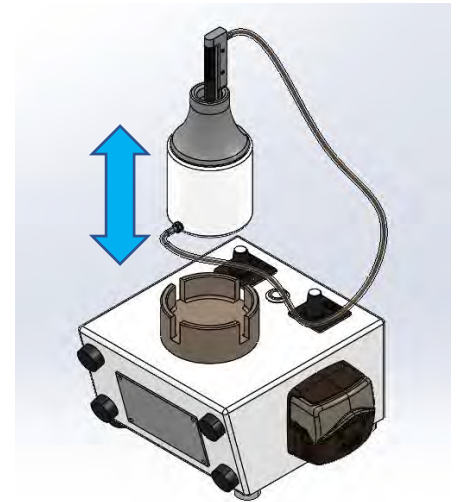


## II.2. An overview of the machine



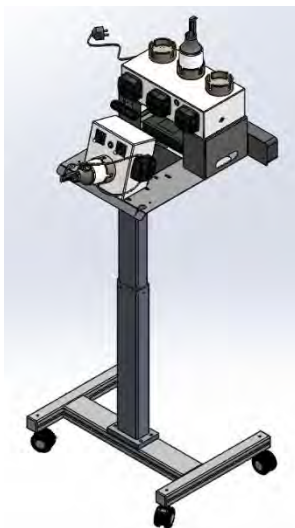
## II.3. The purpose of the unit

- The MONET V2 edge colouring machine is used to apply an undercoat or dye to the edges of leather goods. Its operation is identical to that of the MONET V1 colouring machine. The main advantage of the MONET V2 is the rapid dye changeover. There is no longer any mechanical connection between the base of the station and the colouring head. The head can therefore be easily interchanged with a different one.



- The head mixer is used to protect any V2 colouring heads that are not in use. It keeps the shaft rotating and recirculates the dye to prevent it from drying out.

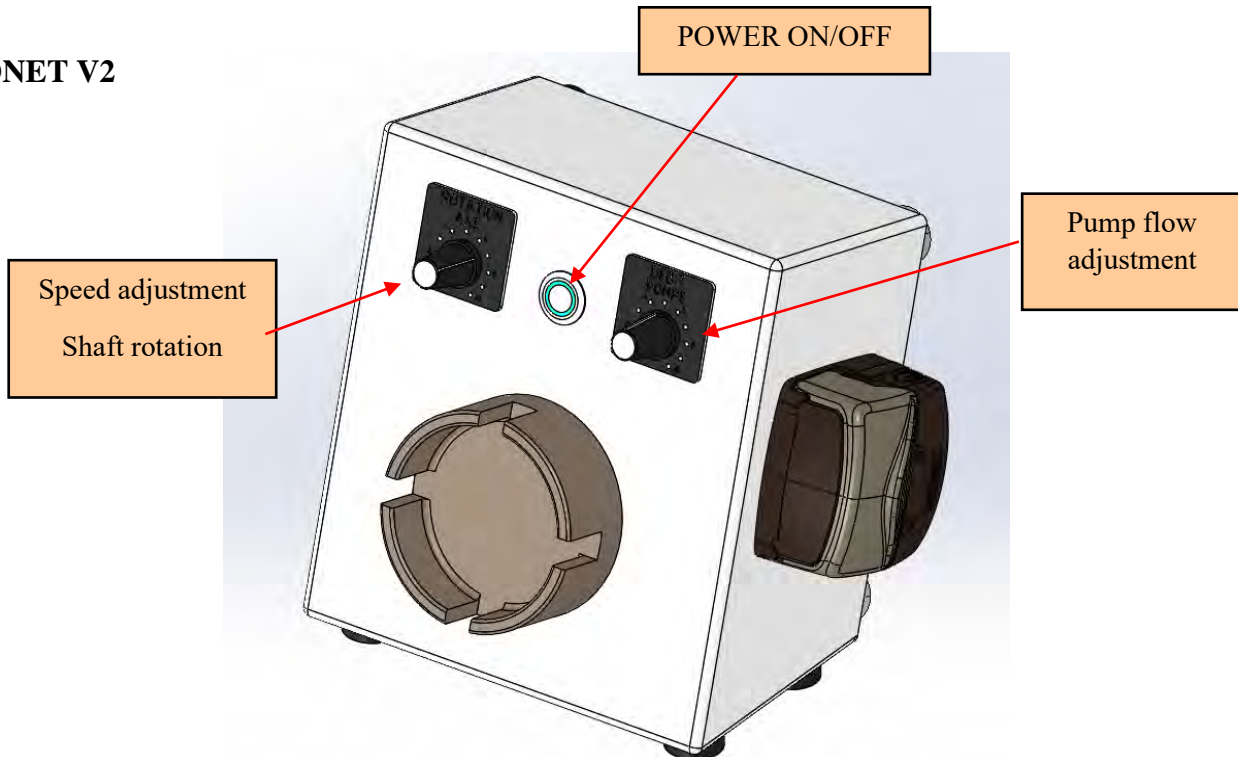
- The V2 colouring head enables the dye to be applied via a grooved shaft and an adjustable wiper. The latter is adjustable from 0.2mm to 0.8mm with a set of setting spindles available in the spare parts list.



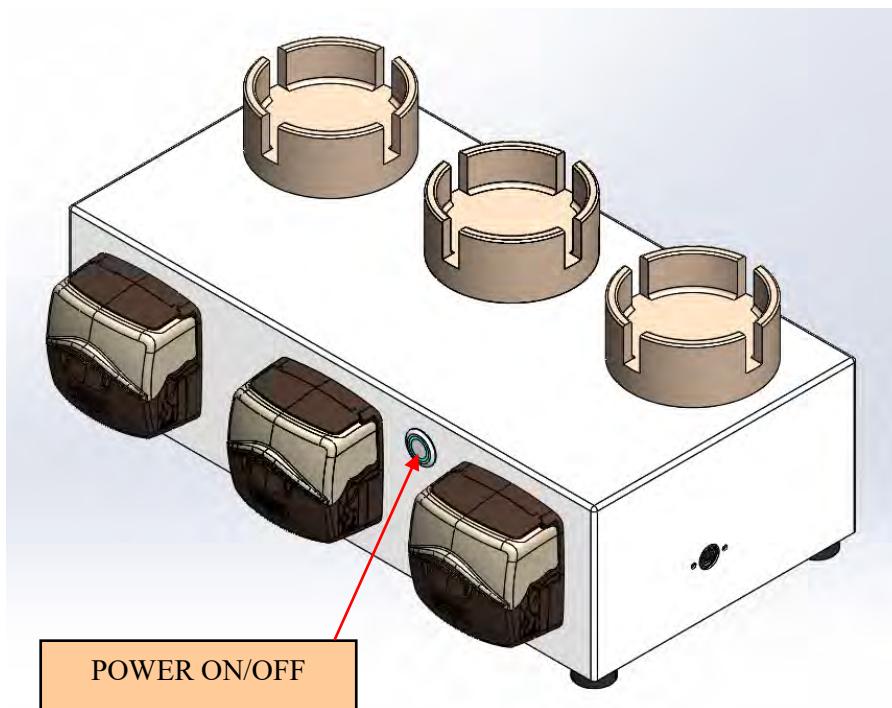
- The main purpose of the height-adjustable stand is to improve the ergonomics of the unit by adding a height-adjustment feature for the entire workstation. It also saves room by bringing the different modules together in a minimum amount of space.

## III. PRESENTATION OF THE CONTROLS

### MONET V2

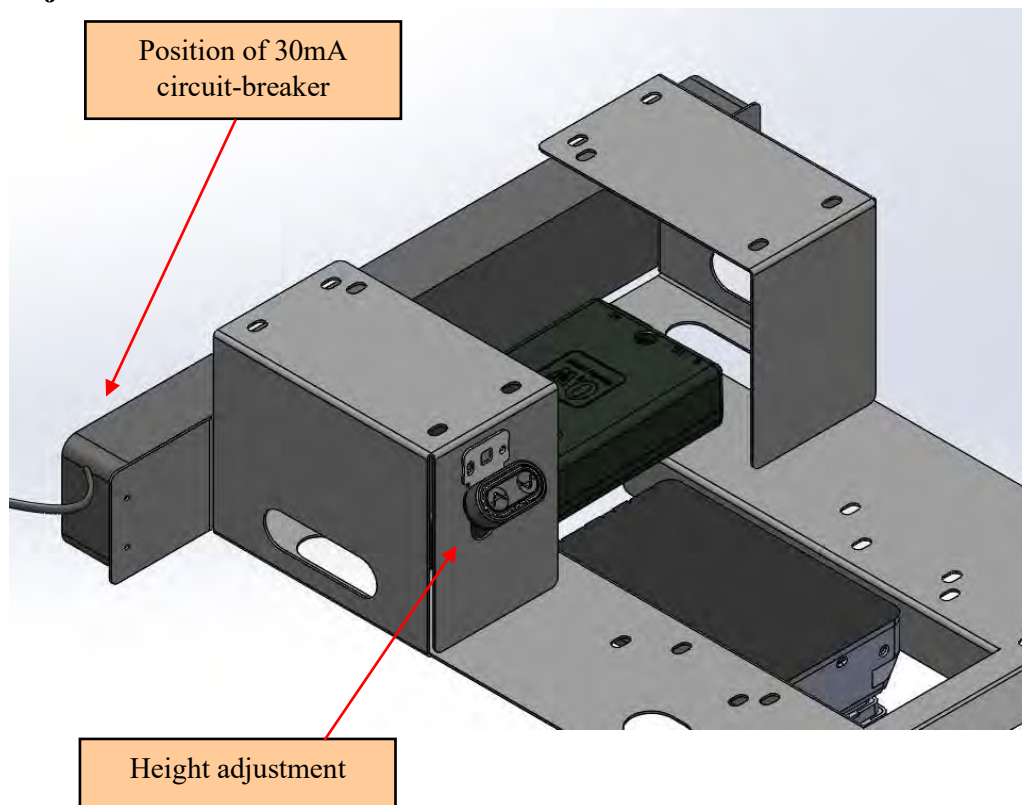


### Head mixer

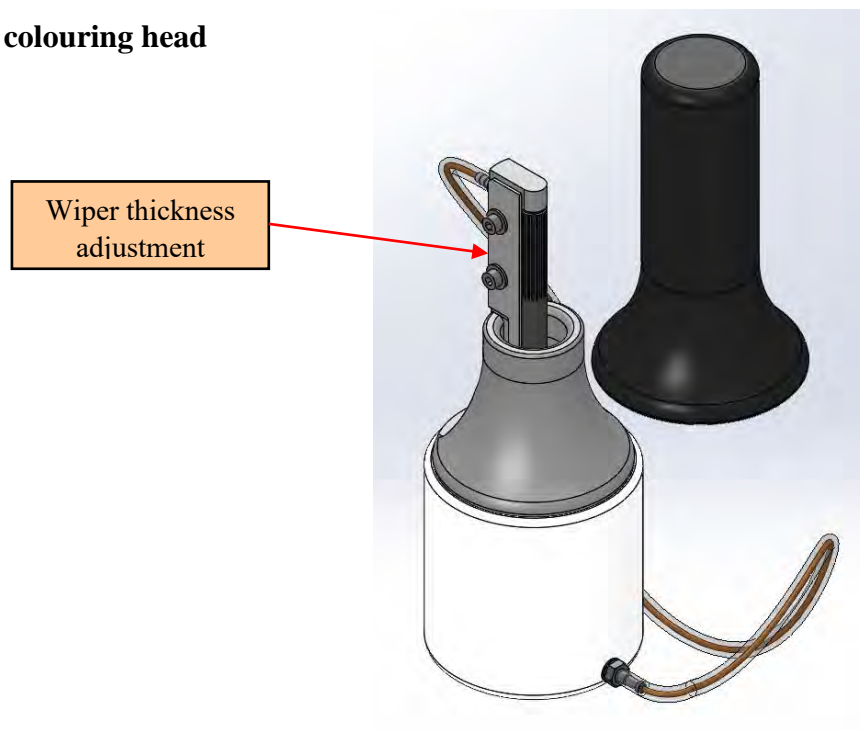




## Height adjustable stand



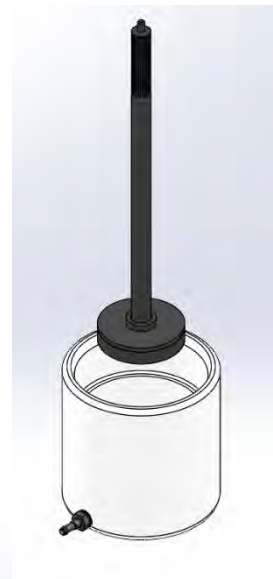
## V2 colouring head



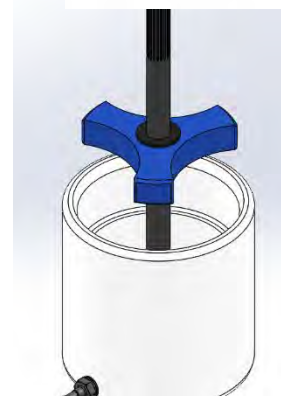
## IV. OPERATING THE MACHINE:

### IV.1. V2 Head assembly

Place the colouring shaft in the beaker with the magnet plate at the bottom.



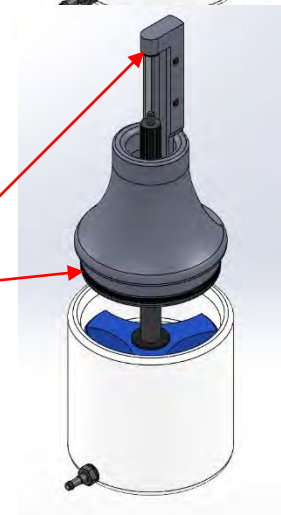
Place the star bearing in the beaker by passing the colouring shaft through it. Make sure that the star bearing is placed with the black collar facing upwards.



Place the upper assembly with the wiper on the top of the beaker.

Make sure that the top of the colouring shaft is correctly positioned in the upper housing

Check that the seal is correctly positioned in the slot.



## IV.2. Adjusting the V2 head

We recommend using the set of V2 adjustment rods for adjusting the position of the V2 colour head wiper. The set of adjustment rods is available for sale in the spare parts list.

Adjusting the wiper enables more or less colour to be applied to the edge of the leather.

If the amount deposited on the edge of the leather is insufficient, the setting value must be increased, if too much colouring is deposited on the edge and causes the dye to overflow and run, the setting value must be decreased.

*The pump flow adjustment potentiometer is not used to deposit more or less dye. Its sole purpose is to regulate the dye supply to the shaft. The faster you work, the more you will have to increase the shaft rotation speed and, consequently, the pump flow rate.*



1- Begin by freeing the wiper by slightly loosening the 2 clamping screws. If the wiper refuses to move, it may have got stuck to the head by dry dye remaining between the 2 elements.

2- Take the different parts out of the beaker and then just put the star bearing back in place. **Warning** the black collar **MUST** be facing upwards.



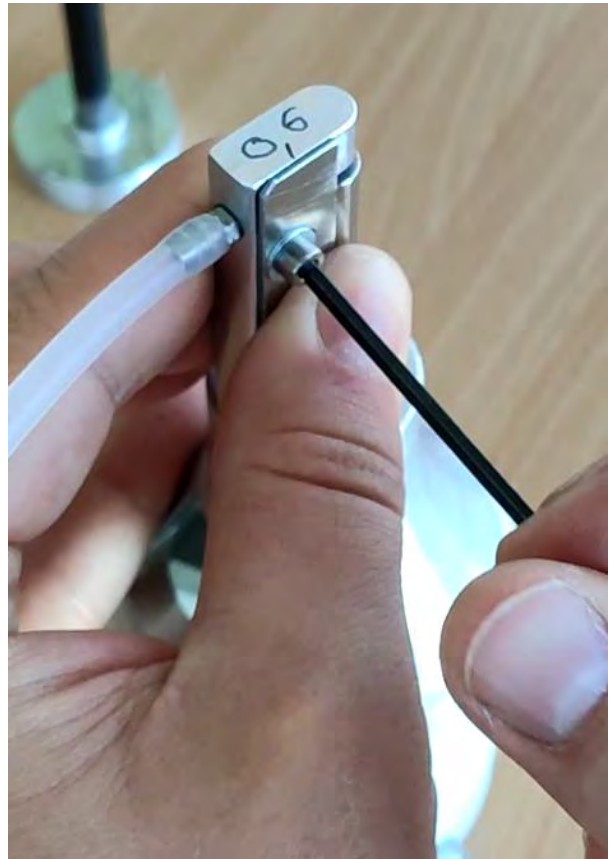


3- Insert the appropriate adjustment rod. The value marked on the side of the rod corresponds to the final thickness required after wiping.

4- Put the upper part of the head back in place on the beaker, making sure that the top of the adjustment rod is correctly in place in the head's upper housing. Slide the wiper blade into position until it touches the rod. There must be no visible gap either between the wiper blade and the rod or between the wiper blade and its support (see red reference marks).



5- Holding the wiper blade in position, moderately tighten the two blade-clamping screws.



6- You can now re-open the head for removing the adjustment rod and putting the colouring shaft back in place.

When all these parts have been refitted onto the head, the latter is now ready for use.

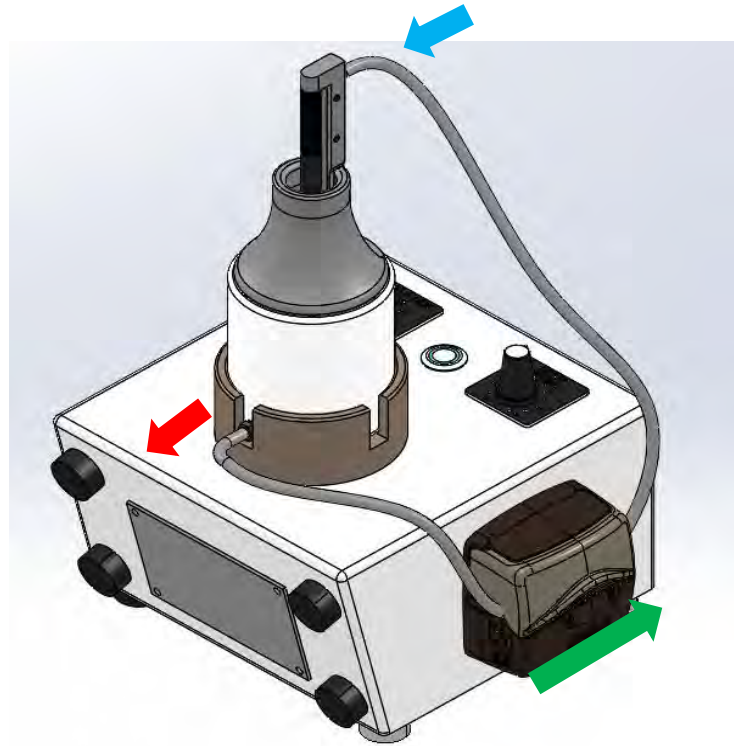
If desired, you can mark the setting of the head using a felt-tip pen for having a visual indication.

## IV.3. Colouring

### Positioning the head on the machine

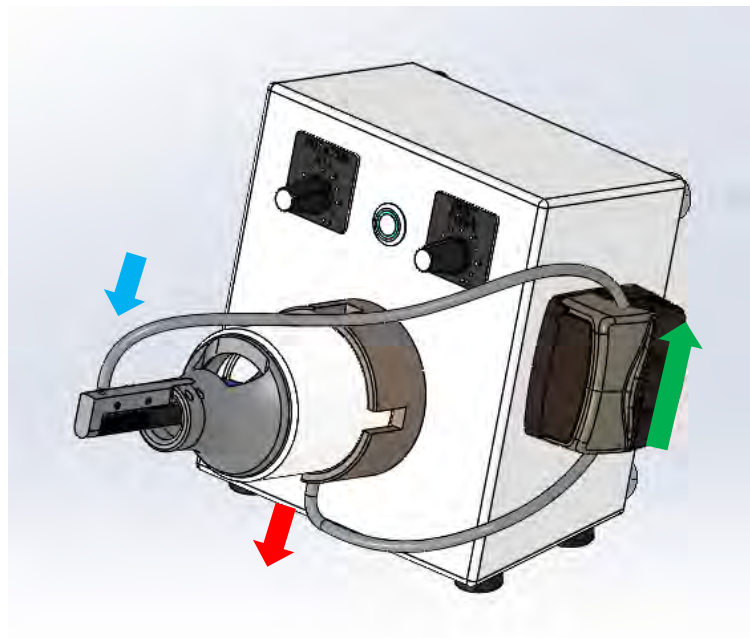
Like the MONET V1 colouring machine, there are 2 working positions for the MONET V2.

The VERTICAL position:



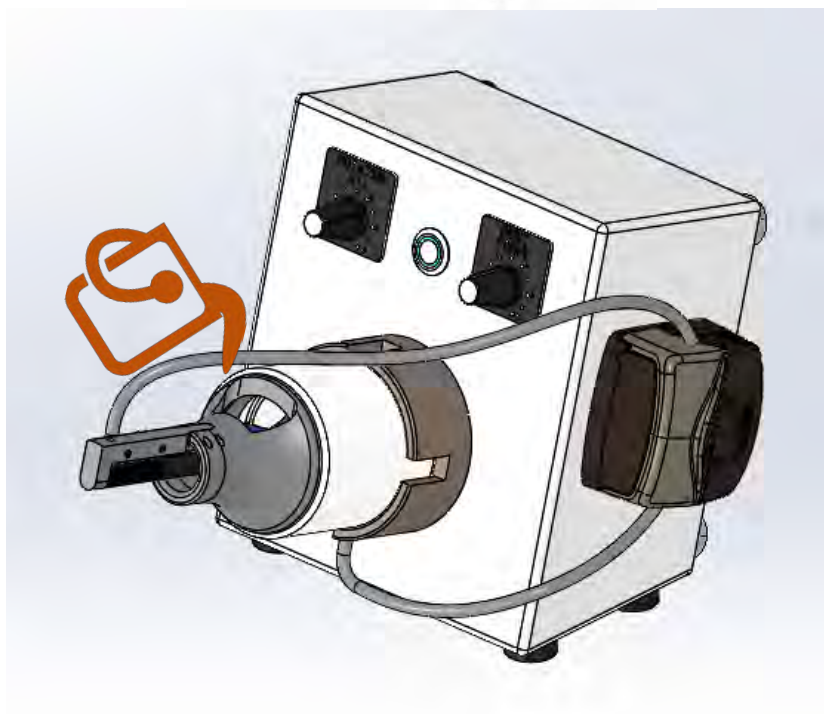
The HORIZONTAL position:

When in this position make sure that the dye **outlet** of the beaker points downwards and the dye **inlet** points upwards.



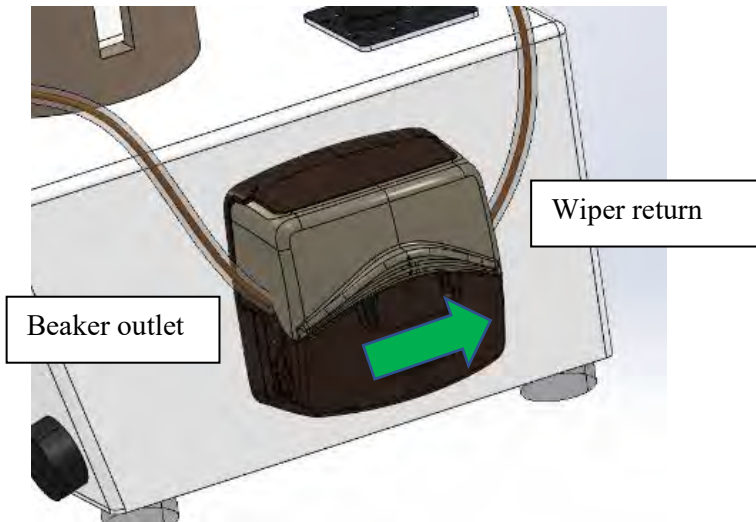
## Filling the beaker

The beaker can be filled before assembling the head or after assembly via the opening on the side of the head.



## Putting the tube in position

When putting the tube in position, the machine must be switched off to avoid the danger of anything getting trapped when opening the pump.



Place the tube inside the pump as per the illustration opposite

When closing the cover, take care to avoid the tube being trapped. This could damage it and cause a leak.

## Take care when adjusting the pump.

There are 2 small V-shaped vanes on either side of the pump. These vanes enable you to adjust the position for closing the pump cover depending on the diameter of the tube used and avoid damaging it. When leaving our works, the pump is adjusted for use with the tube designed for MONET machines.

## Position for narrow tubes.

However, if there is a problem with closing the cover or adjusting the dye flow, this setting should be checked.





# MONET V2 Colouring machine



## Start-up

The machine is started by pressing the central aluminium push-button.

When the light is steady and blue in colour, the machine is in operation.

When the light is blue and flashing the machine is in its stopping phase.

The duration of flashing corresponds to the time required for the tool to stop in a horizontal position and enable the dye to flow back into the beaker.

Take care during this period as the tool will continue to rotate even if the peristaltic pump has stopped.



## Setting the machine

Use the "SHAFT ROTATION" potentiometer to vary the rotation speed of the shaft as required.



Use the "PUMP FLOW" potentiometer to vary the pump speed as required.



+33 4 75 05 25 04  
[info@idecsas.com](mailto:info@idecsas.com)  
ZA Les Bouviers  
26260 CLERIEUX, France  
[www.idecsas.com](http://www.idecsas.com)

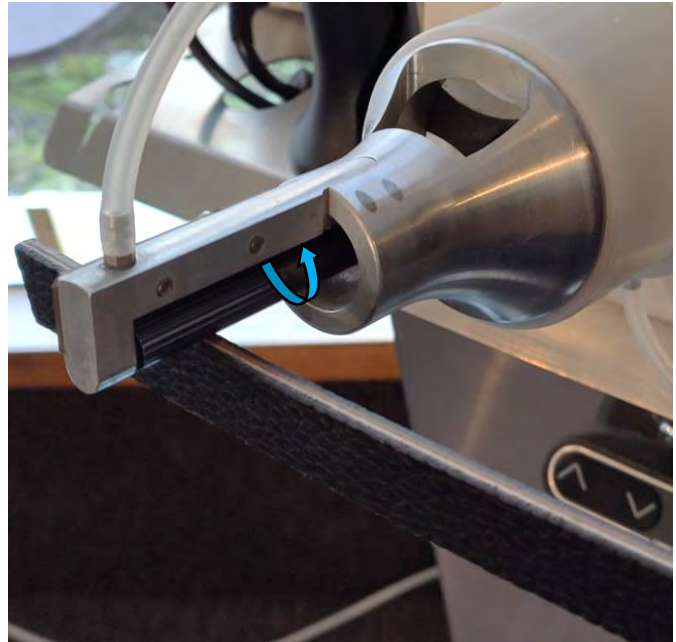
**Update 3** dated 29-10-2021

Page 16/34

## Applying a colour or an undercoat

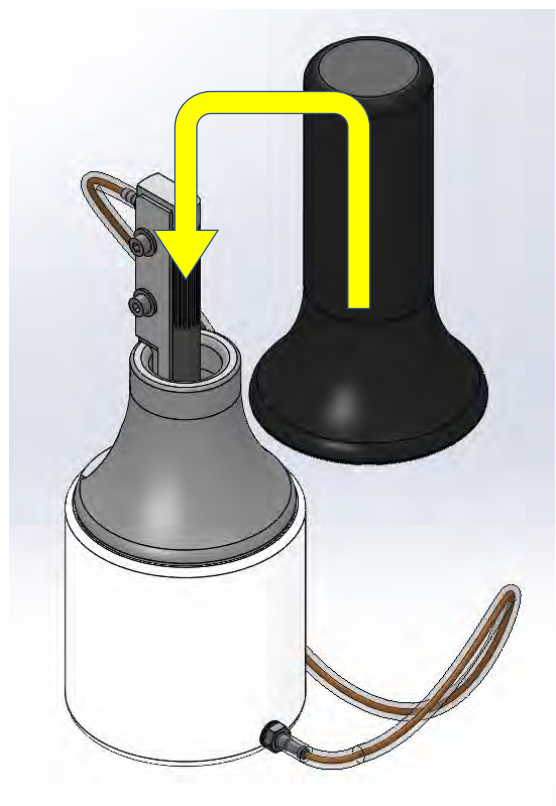
Apply a colour or an undercoat by running the edge of the leather over the grooved part of the colouring tool, in the same direction as the tool rotates.

**SAFETY:** colouring or undercoat **MUST NOT BE RECOVERED** with a punch, a cloth or your finger when the tool is rotating. A danger exists that they may be caught.



## Protective cover

To preserve the quality of the colour or undercoat, a protective cover is provided for each head for limiting any water evaporation when the head is not in use.

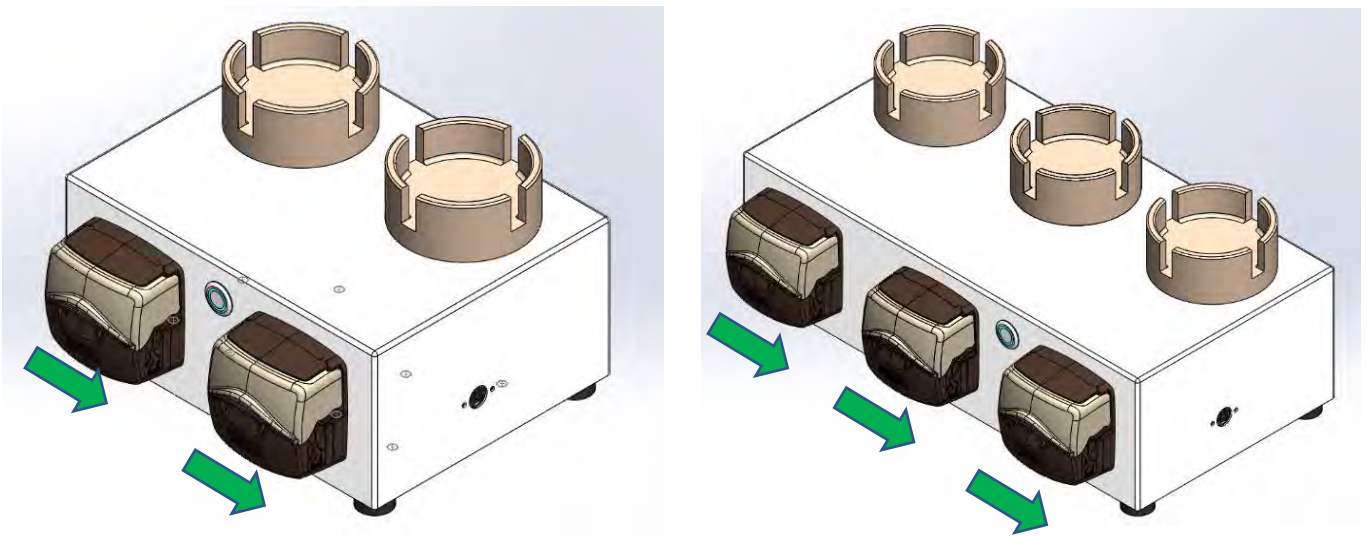


## IV.4. 2 & 3 head mixer (OPTIONAL)

A head mixer (2 or 3 heads) is available for exchanging colouring heads quickly and guaranteeing the long life of any heads that are out of use.

The purpose of the head mixer is to keep the shaft rotating and to recirculate the dye when the head is not in use. Shaft and pump speeds are fixed and cannot be changed.

Pay attention to the direction of the tube in the peristaltic pump.



**Warning:** there is a risk of the tube getting caught in the peristaltic pump  
Switch the mixer off before opening the pump cover.

## IV.5. Height-adjustable stand (OPTIONAL)



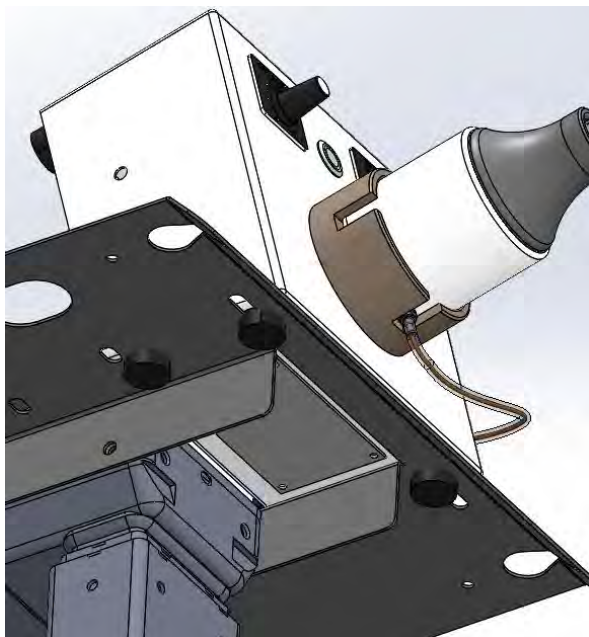
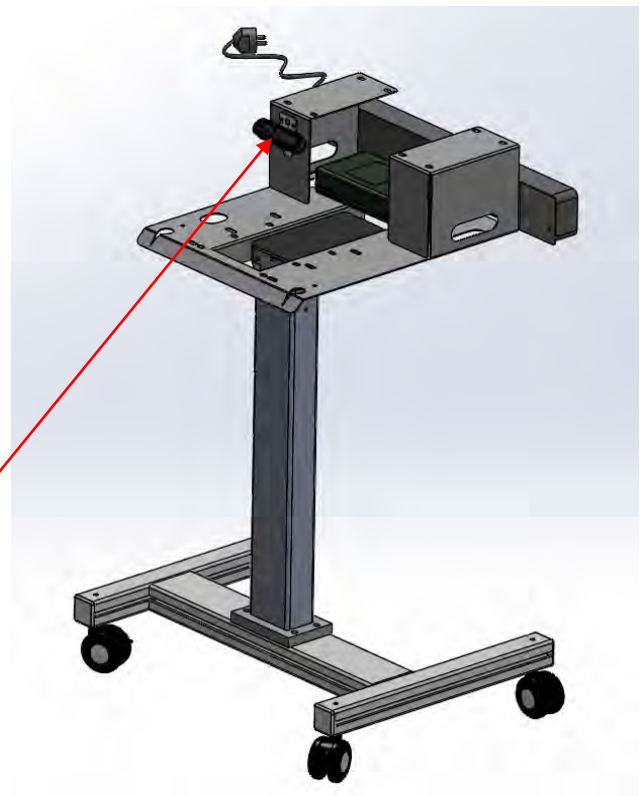
- Maximum capacity of the foot → **12Kg**
- The stand is exclusively reserved for machines approved by **IDEC SAS**.
- Any modifications to components are strictly forbidden.
- Attachments of equipment non-approved by **IDEC SAS** are not allowed.
- The multi-socket must only be used for machines approved by IDEC SAS.

The adjustable stand offers an ergonomic solution for the MONET V2 colouring machine.

It enables the MONET V2 machine and a 2- or 3-head storage unit and even MONET V1 machines to be brought together in a minimum amount of space.

The stand is fitted with a multi-socket equipped with a 30mA ground fault circuit-breaker

To raise or lower the platform, simply use the control panel on the side.



The various elements are attached via rubber studs present on each machine.

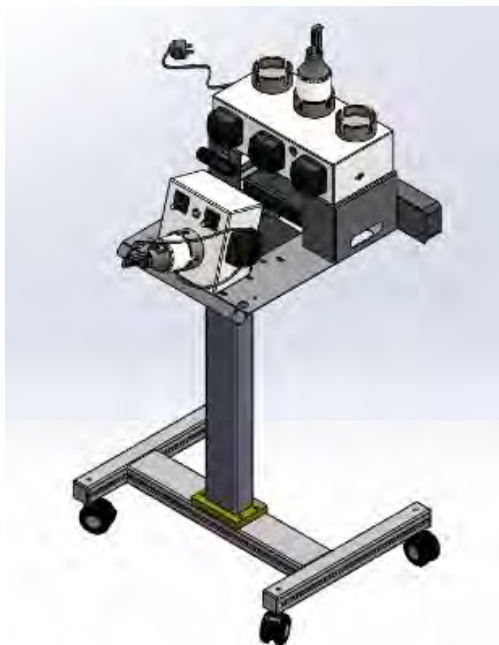
Position the machine opposite the grooves and screw in the studs from under the base plate.

# MONET V2 Colouring machine

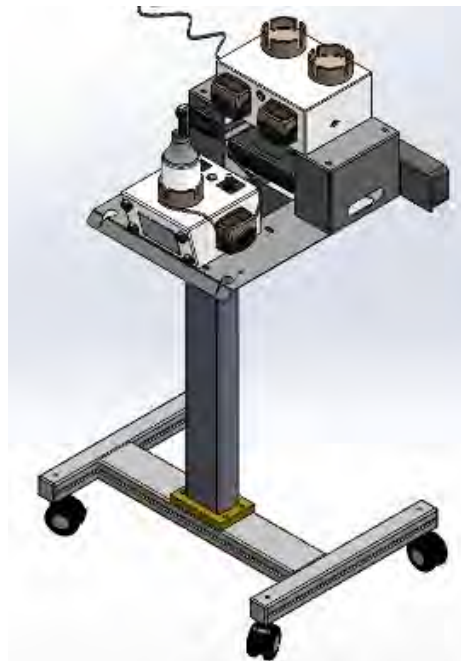


Several examples of assembly:

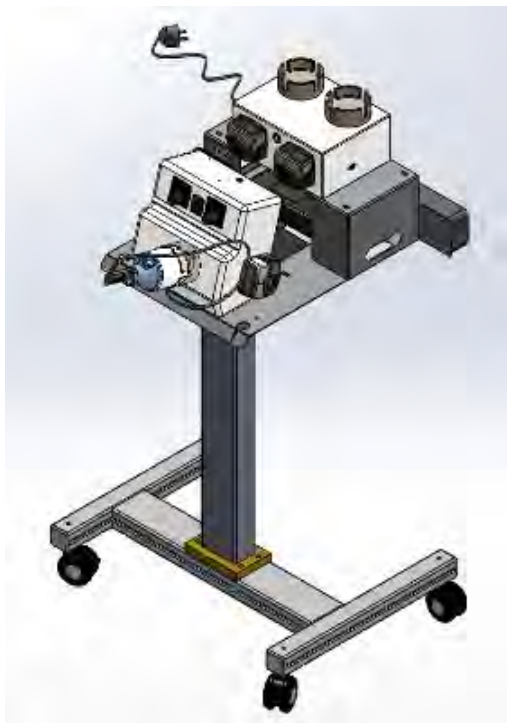
MONET V2 + 3 HEAD ST



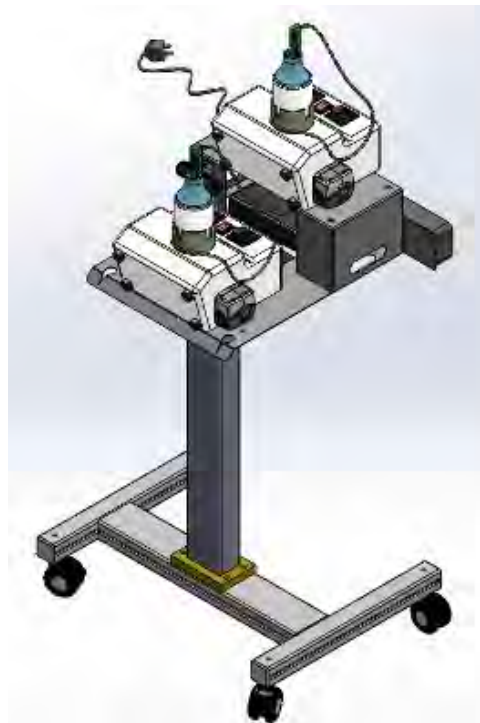
MONET V2 + 2 HEAD ST



MONET V1 + 2 HEAD ST



MONET V1 + MONET V1



+33 4 75 05 25 04  
[info@idecsas.com](mailto:info@idecsas.com)  
ZA Les Bouviers  
26260 CLERIEUX, France  
[www.idecsas.com](http://www.idecsas.com)

**Update 3** dated 29-10-2021

Page 20/34

## IV.6. Cleaning the unit

### Stopping the machine

Press on the centre button to stop the machine. It will then begin flashing, indicating the time delay before the shaft stops rotating. Once the light goes out, the machine has stopped.

Once the machine has stopped, you can disconnect the tube on the peristaltic pump.

You can then remove the colouring head on the machine and take it away for cleaning.



### Cleaning the head

For cleaning the colouring head, please use the cleaning kit provided.

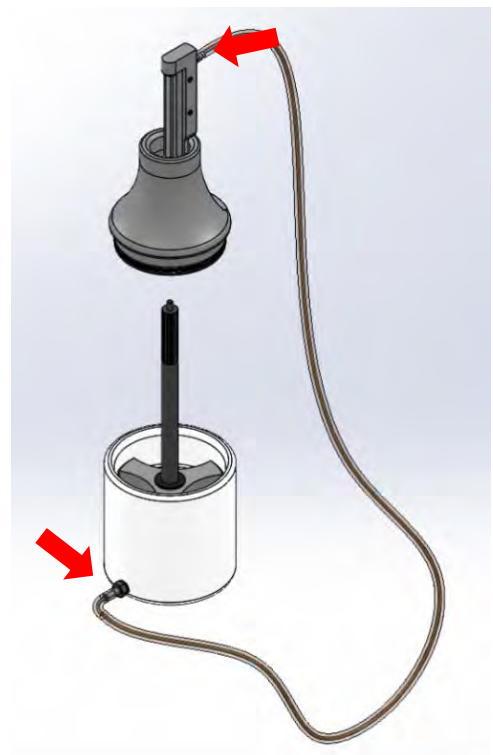
The four parts of the head need to be dismantled:

- The beaker
- The upper body
- The star bearing
- The colouring shaft

Do not dismantle the lower part of the colouring shaft or the small black collars on the star bearing and the upper body. Even so, make sure that these areas are well cleaned.

Also, make sure to clean the small tube connections using small pins to prevent them from clogging.

Also, clean the pump pipe with the syringe provided.



## Cleaning the unit

Always disconnect the base of the unit before cleaning it with a damp sponge.

Never spray or immerse the elements forming the colouring unit.



## V. MECHANICAL SETTINGS

Basic mechanical adjustments can be carried out by competent personnel.

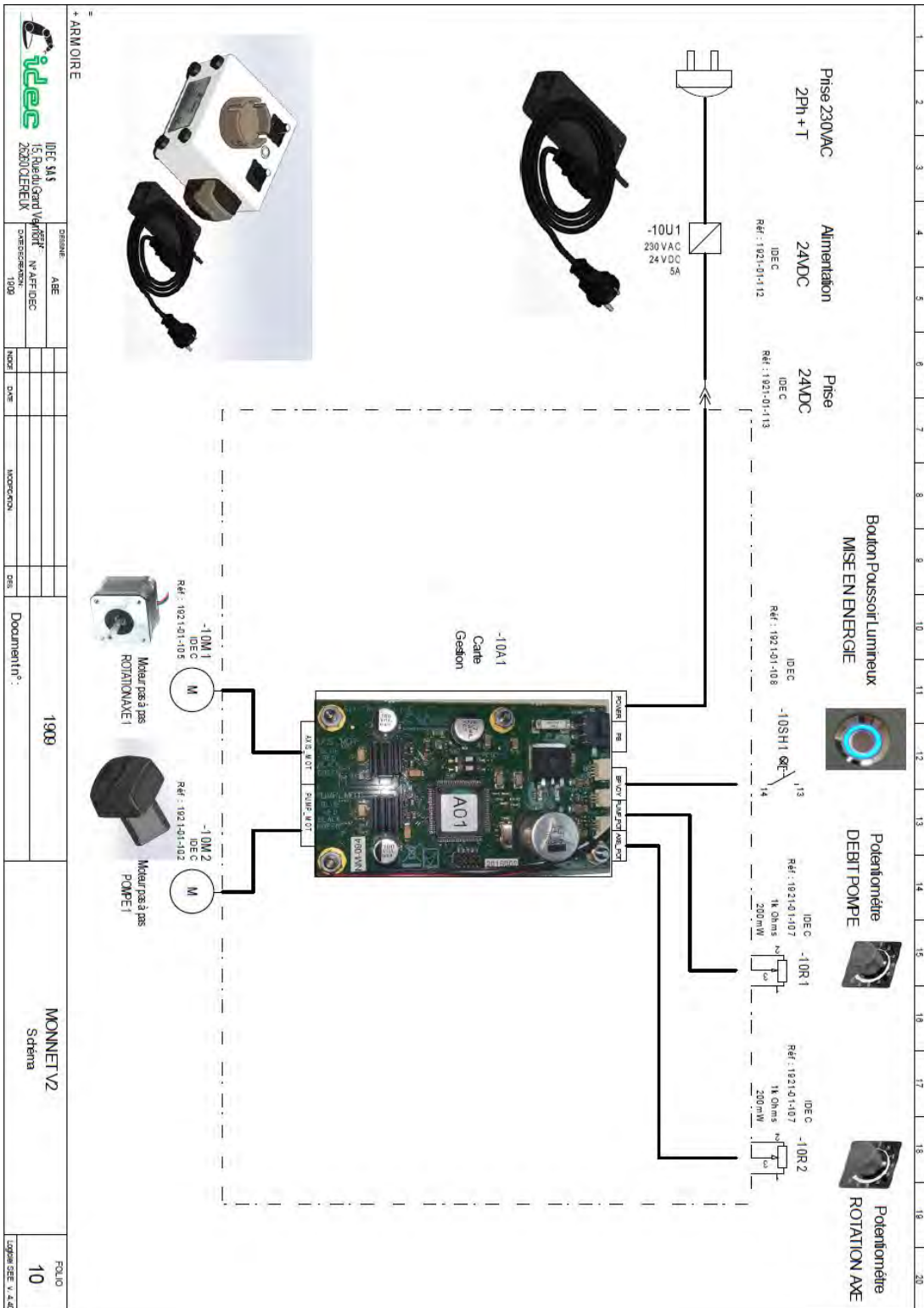
For any intervention outside these limits, please contact IDEC.



+33 4 75 05 25 04  
[info@idecsas.com](mailto:info@idecsas.com)  
ZA Les Bouviers  
26260 CLERIEUX, France  
[www.idecsas.com](http://www.idecsas.com)

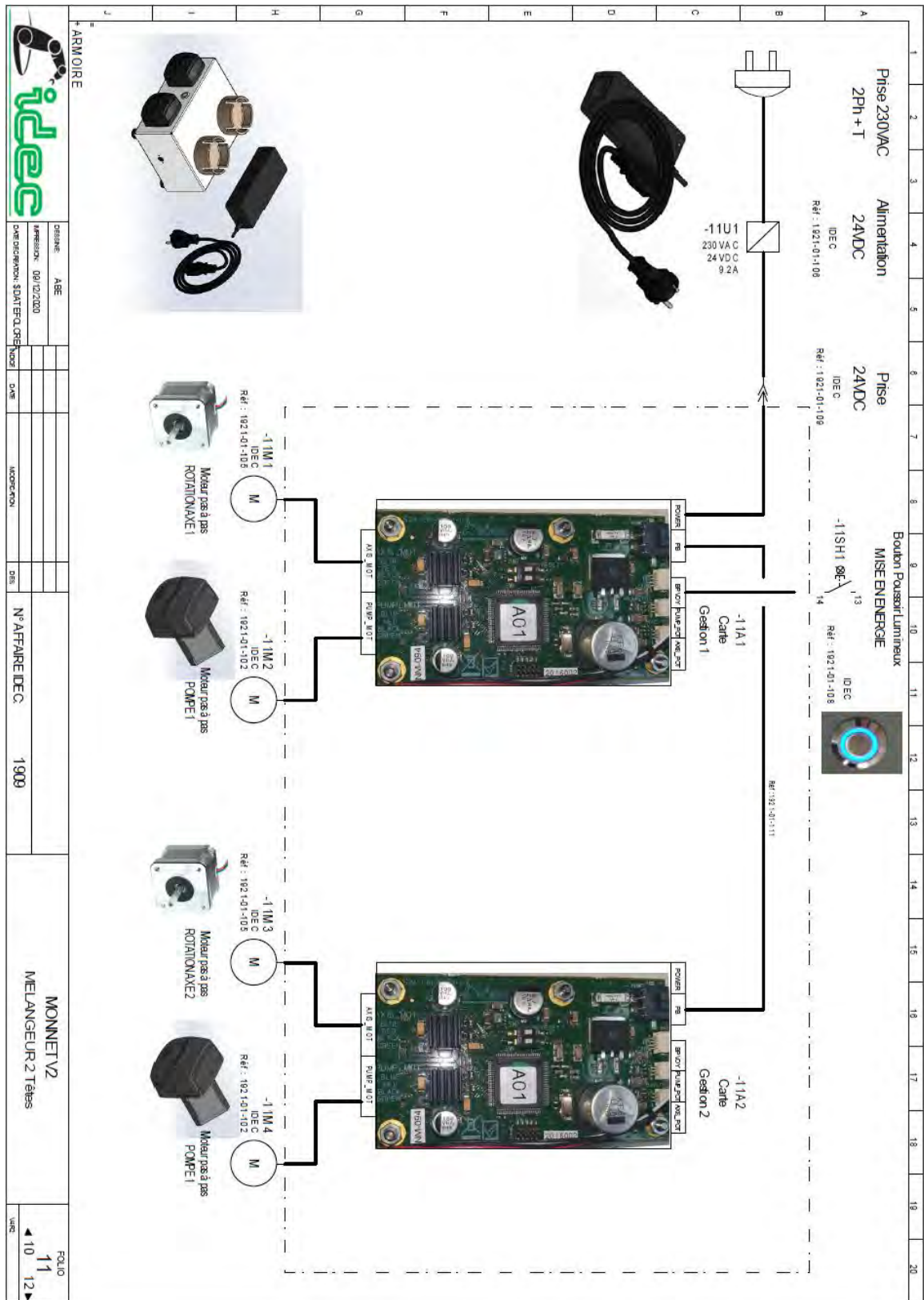
# MONET V2 Colouring machine

## VI. ELECTRICAL DIAGRAMS

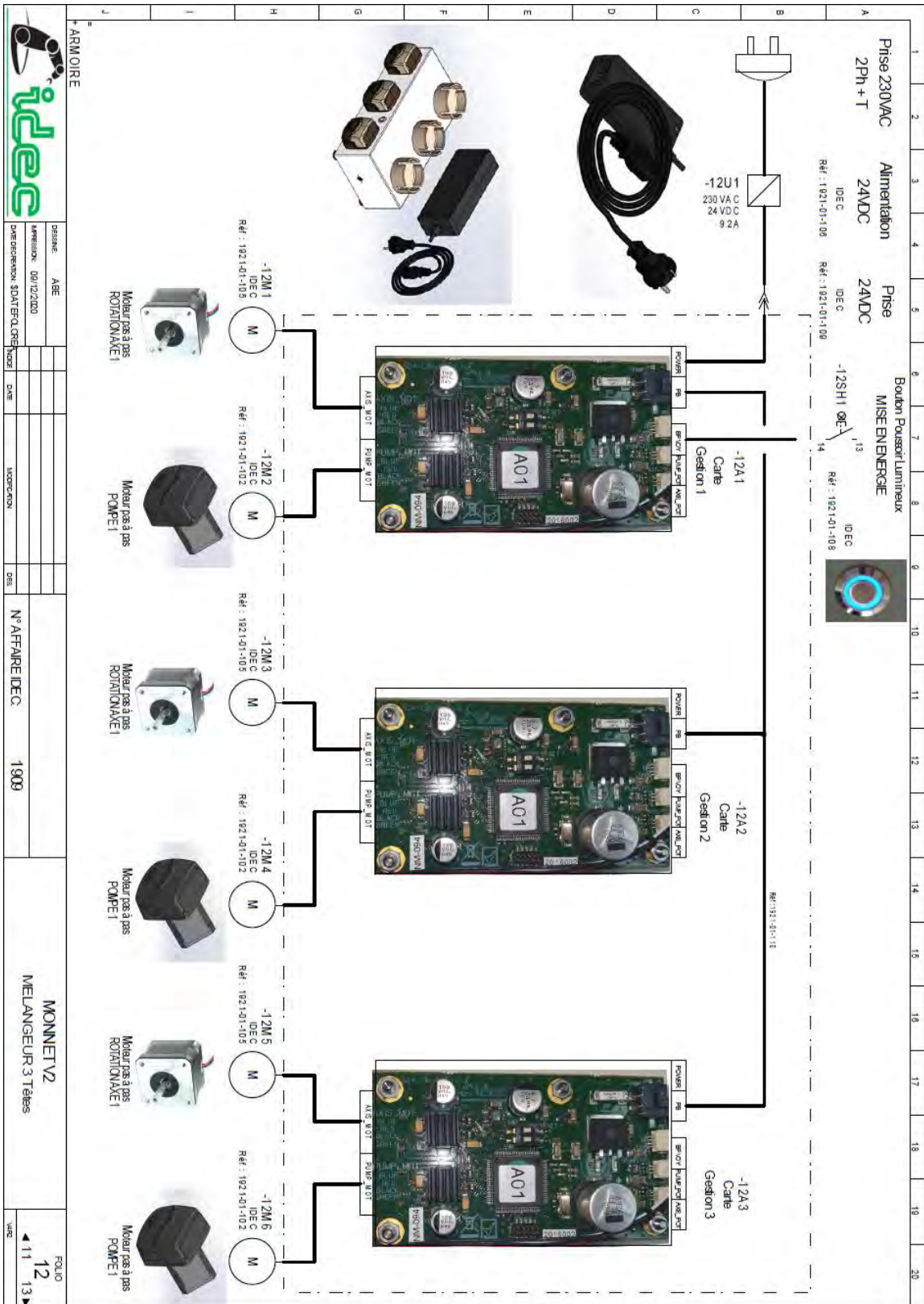




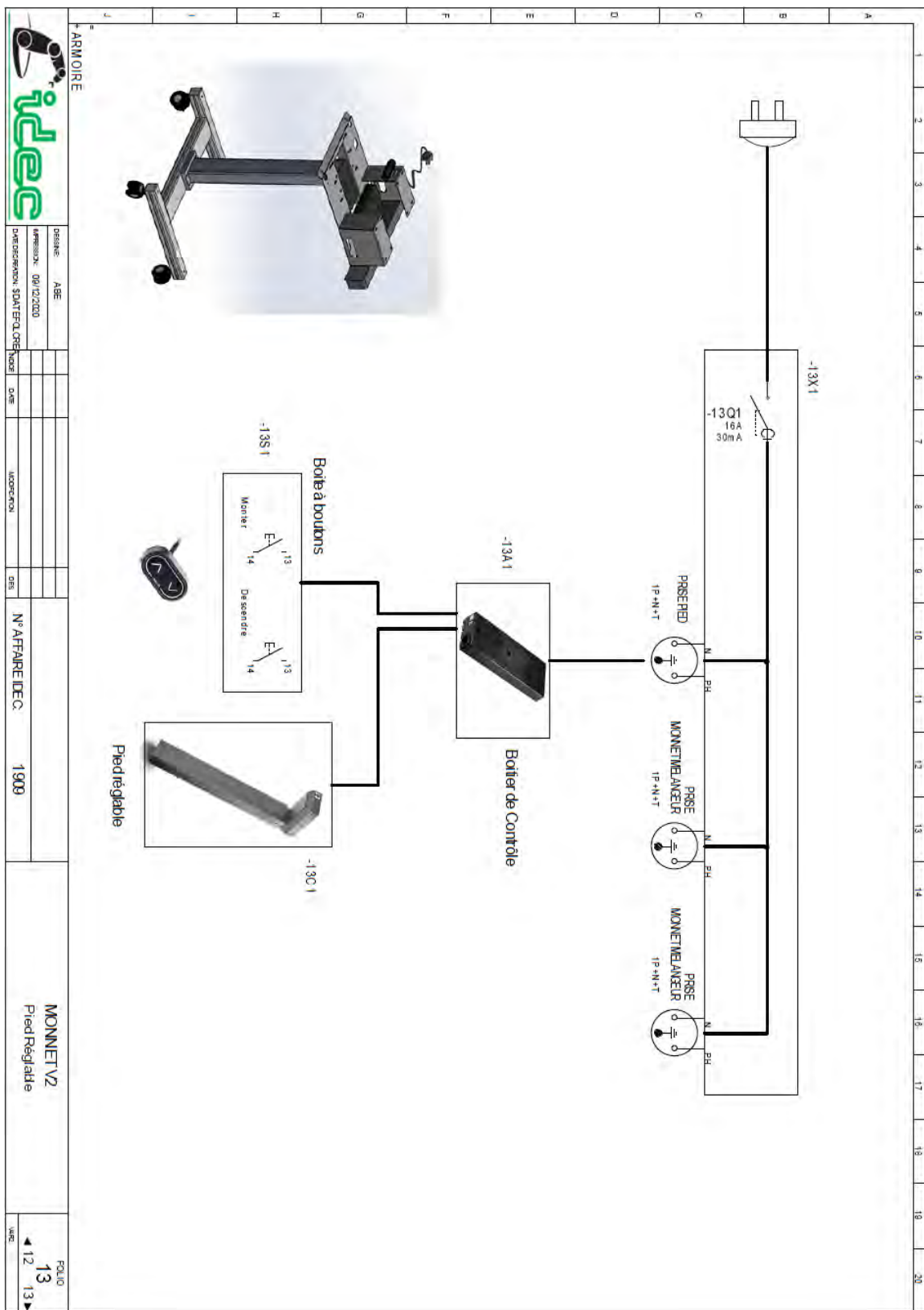
# MONET V2 Colouring machine



# MONET V2 Colouring machine



# MONET V2 Colouring machine



DESIGN: ABE  
 REFERENCE: 0012/2000  
 DATE: 04/09/2000

DATE: 04/09/2000  
 MODIFICATION: STATUT QCP  
 DATE: 04/09/2000

N° AFFAIRE IDEC: 1909

MONNET V2  
 Pied Réglable

FOUC  
 12 13 13



+33 4 75 05 25 04  
[info@idecsas.com](mailto:info@idecsas.com)  
 ZA Les Bouviers  
 26260 CLERIEUX, France  
[www.idecsas.com](http://www.idecsas.com)

**Update 3** dated 29-10-2021  
 Page 26/34

## VII. WEAR AND EMERGENCY PARTS

Please refer to the spare parts list: “SPARE PARTS FOR MONET V2 TABLE-MOUNTED COLOURING MACHINES”

## VIII. FREQUENTLY ASKED QUESTIONS

Machine concerned	Problem/breakdown	Possible causes	Remedy/corrective actions
MONET V2	The machine does not start	There is a faulty connection	Check the state of the different connections
		The power supply unit is faulty	Try to change the power supply unit
V2 COLOURING HEAD	Too much dye is applied and it overflows	The wiper setting is not suitable for the application	Reduce the wiper thickness setting
	Too little dye is applied and colouring is insufficient	The supply of dye to the shaft is insufficient	Adjust the shaft rotation speed and the pump flow rate.
		The wiper setting is not suitable for the application	Increase the wiper thickness setting
	Dye drips from the end of the shaft when in horizontal mode.	The flow rate is too high in relation to the tool rotation speed.	Adjust the shaft rotation speed and the pump flow rate.
	Dye does not recirculate. It does not get to the tool.	The pump is faulty.	Check that the pump works correctly.
		The tube is caught inside the pump.	Check the position of the tube in the pump as well as the setting of the pump vanes.
		The dye circuit is clogged.	Clean the outlet connection on the beaker and the inlet connection on the wiper. Replace the tube if necessary.

Machine concerned	Problem/breakdown	Possible causes	Remedy/corrective actions
<b>V2 COLOURING HEAD</b>	The flow is insufficient for supplying the shaft	The tube is faulty or worn.	Replace the tube. <i>(The tube is specially designed for your applications. Purchasing a tube other than the tube sold by IDEC SAS may lead to malfunctioning.)</i>
	The wiper remains jammed in place when readjusting.	Dry dye has stuck the wiper onto its support	Dismantle the wiper completely and clean it thoroughly.
<b>SUPPORT STAND</b>	The stand no longer moves	There is a faulty connection	Check the connections on the stand.
	The stand no longer goes up, but will only move downwards.	The stand needs to reinitialise its lower stop.	Press the Down button so that the stand goes down as far as possible. Release the button and then press the Down button a second time.
<b>HEAD MIXER</b>	The mixer does not light up	There is a faulty connection	Check the state of the different connections
		The power supply unit is faulty	Try to change the power supply unit
	Dye does not recirculate	The pump is faulty.	Check that the pump works correctly.
		The tube is caught inside the pump.	Check the position of the tube in the pump as well as the setting of the pump vanes.
		The dye circuit is clogged.	Clean the outlet connection on the beaker as well as the inlet connection on the wiper. Replace the tube if necessary.

## IX. DECLARATIONS OF CONFORMITY



26 260 - ZA Les Bouviers Tél. : 04.75.05.25.04 Fax. : 04.75.05.25.09 E-mail : [d.larue@idecsas.com](mailto:d.larue@idecsas.com)

1/1

### DECLARATION OF CONFORMITY OF A MACHINE SUBJECT TO SELF-CERTIFICATION

(Directive 2006/42/EC)

With this declaration we certify that the machine described below, placed on the market with the design and construction characteristics we have assigned to it, meets the basic health and safety requirements of the EC Machinery Directive.

Any modification made to this machine without our prior consent will invalidate this declaration.

Mr David LARUE is designated to communicate the technical file

The Manufacturer: IDEC S.A.S  
15 Rue du Grand Veymont  
26260 CLERIEUX

Declares that the machine designated below:

Model: **MONET V2**  
Manufacturing number: **2021**  
Serial number: **2021-001 to 2021-999**

Complies with the provisions of the following European directives:

- Electromagnetic Compatibility Directive 2014/30/UE
- Machinery Directive 2006/42 CE

CLERIEUX, October 29, 2021

Name of Signatory: **LARUE David**

Title: **President**

Signature:



INDUSTRIE DEVELOPPEMENT - ETUDE ET CONSTRUCTION  
SAS au capital de 110 000 Euros - RCS Romans B 338695 174 - TVA FR 58 338 695 174 - Siret 338 695 174 00049 - Code APE 2815 - NAF 333Z



26 260 - ZA Les Bouviers Tél : 04 75 05 25 04 Fax : 04 75 05 25 09 E-mail : [d.larue@idecsas.com](mailto:d.larue@idecsas.com)

1/1

## DECLARATION OF CONFORMITY OF A MACHINE SUBJECT TO SELF-CERTIFICATION

(Directive 2006/42/EC)

With this declaration we certify that the machine described below, placed on the market with the design and construction characteristics we have assigned to it, meets the basic health and safety requirements of the EC Machinery Directive.

Any modification made to this machine without our prior consent will invalidate this declaration.

Mr David LARUE is designated to communicate the technical file

The Manufacturer: IDEC S.A.S  
15 Rue du Grand Veymont  
26260 CLERIEUX

Declares that the machine designated below:

Model: **3-HEAD MIXER**  
Manufacturing number: **2022**  
Serial number: **2022-001 to 2022-999**

Complies with the provisions of the following European directives:

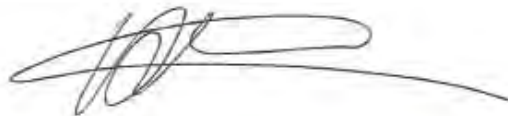
- Electromagnetic Compatibility Directive 2014/30/UE
- Machinery Directive 2006/42 CE

CLERIEUX, October 29, 2021

Name of Signatory: **LARUE David**

Title: **President**

Signature:



INDUSTRIE DEVELOPPEMENT - ETUDE ET CONSTRUCTION  
SAS au capital de 110 000 Euros - RCS Romans B 338695 174 - TVA FR 58 338 695 174 - Siret 338 695 174 00049 - Code APE 2815 - NAF 333Z





MACHINES SPÉCIALES & ROBOTIQUE

26 260 - ZA Les Bouviers Tél. : 04.75.05.25.04 Fax : 04.75.05.25.09 E-mail : [d.larue@idecsas.com](mailto:d.larue@idecsas.com)

1/1

## DECLARATION OF CONFORMITY OF A MACHINE SUBJECT TO SELF-CERTIFICATION

(Directive 2006/42/EC)

With this declaration we certify that the machine described below, placed on the market with the design and construction characteristics we have assigned to it, meets the basic health and safety requirements of the EC Machinery Directive.

Any modification made to this machine without our prior consent will invalidate this declaration.

Mr David LARUE is designated to communicate the technical file.

The Manufacturer: IDEC S.A.S  
15 Rue du Grand Veymont  
26260 CLERIEUX

Declares that the machine designated below:  
Model: **2-HEAD MIXER**  
Manufacturing number: **2023**  
Serial number: **2023-001 to 2023-999**

Complies with the provisions of the following European directives:

- Electromagnetic Compatibility Directive 2014/30/UE
- Machinery Directive 2006/42 CE

CLERIEUX, October 29, 2021

Name of Signatory: **LARUE David**

Title: **President**

Signature:



INDUSTRIE DÉVELOPPEMENT – ETUDE ET CONSTRUCTION  
SAS au capital de 110 000 Euros - RCS Romans B 338695 174 - TVA FR 58 338 695 174 - Siret 338 695 174 00049 - Code APE 2815 - NAF 333Z



+33 4 75 05 25 04

[info@idecsas.com](mailto:info@idecsas.com)

ZA Les Bouviers  
26260 CLERIEUX, France

[www.idecsas.com](http://www.idecsas.com)

**Update 3** dated 29-10-2021

Page 32/34



MACHINES SPECIALES & ROBOTIQUE

26 260 - ZA Les Bouviers Tél. : 04.75.05.25.04 Fax. : 04.75.05.25.09 E-mail : [d.larue@idecsas.com](mailto:d.larue@idecsas.com)

I/1

## DECLARATION OF CONFORMITY OF A MACHINE SUBJECT TO SELF-CERTIFICATION

(Directive 2006/42/EC)

With this declaration we certify that the machine described below, placed on the market with the design and construction characteristics we have assigned to it, meets the basic health and safety requirements of the EC Machinery Directive.

Any modification made to this machine without our prior consent will invalidate this declaration.

Mr David LARUE is designated to communicate the technical file

The Manufacturer: IDEC S.A.S  
15 Rue du Grand Veymont  
26260 CLERIEUX

Declares that the machine designated below:  
Model: HEIGHT-ADJUSTABLE STAND  
Manufacturing number: 2024  
Serial number: 2024-001 to 2024-999

Complies with the provisions of the following European directives:

- Electromagnetic Compatibility Directive 2014/30/UE
- Machinery Directive 2006/42 CE

CLERIEUX, October 29, 2021

Name of Signatory: LARUE David

Title: President

Signature:



INDUSTRIE DEVELOPPEMENT ETUDE ET CONSTRUCTION  
SAS au capital de 110 000 Euro - RCS Roubaix B 338695 174 - TVA FR 58 338 695 174 - Siret 338 695 174 00049 - Code APE 2815 - NAF 3317



+33 4 75 05 25 04

[info@idecsas.com](mailto:info@idecsas.com)

ZA Les Bouviers  
26260 CLERIEUX, France

[www.idecsas.com](http://www.idecsas.com)

Update 3 dated 29-10-2021

Page 33/34

## X. Appendices

### X.1. Instructions for adjustable stand

Instructions for the adjustable stand can be downloaded from the following address:

<https://cdn.linak.com/-/media/files/user-manual-source/fr/deskline-dl5-dl6-system-user-manual-fr.pdf>

### X.2. Personal notes



**idec**



---

IDECS SAS  
15 Rue du Grand Veymont  
26260 CLERIEUX  
FRANCE

Tél : **+33 (0) 4 75 05 25 04**

Fax : +33 (0) 4 75 05 25 09

---

→ [www.idecsas.com](http://www.idecsas.com)